



DOWSIL™ 3362 Insulating Glass Sealant

Two-part silicone sealant for use as secondary sealant in insulating glass units

Features & Benefits

- When used correctly, manufactured dual sealed insulating glass units meet EN1279 and CEKAL requirements
- Outstanding adhesion to a wide range of substrates including coated and reflective glasses, aluminum and steel spacers, and a variety of plastics
- Structural capability as secondary sealant for insulating glass units used in structural glazing
- CE Marked according to ETAG 002 meets sealant requirements according to EN1279 parts 4 and 6 and EN13022
- Low water absorption
- Excellent temperature stability: -50°C to 150°C
- High level of mechanical properties- high modulus
- Non-corrosive cure
- Fast curing time
- Outstanding resistant to ozone and ultraviolet (UV) radiation
- Stable viscosity for A and B components, no heating required
- Different grey shades available (please refer to our color card)

Applications

- DOWSIL™ 3362 Insulating Glass Sealant is intended for use as a secondary sealant in a dual sealed insulating glass unit.
- The high performance features incorporated into this product make it specially suitable for the following applications:
 - Insulating glass units for residential and commercial use.
 - Insulating glass units with high levels of UV exposure (free edge, greenhouse, etc.).
 - Insulating glass units incorporating specialty glass types.
 - Insulating glass units where high heat or humidity may be encountered.
 - Insulating glass in cold climates.
 - Insulating glass units used in structural glazing.

Typical Properties

Specification Writers: These values are not intended for use in preparing specifications.

| Test ¹ | Property | Unit | Result |
|--|---|-----------------------|---|
| DOWSIL™ 3362 Insulating Glass Sealant Base: as supplied | | | |
| | Color and consistency | | Viscous white paste |
| | Specific gravity | | 1.32 |
| | Viscosity (60s ⁻¹) | Pa.s | 52.5 |
| Curing agent: as supplied | | | |
| | Color and consistency | | Clear / black / grey ² paste |
| | Specific gravity | | |
| | HV | | 1.05 |
| | HV/GER | | 1.05 |
| | Viscosity (60s ⁻¹) | | |
| | HV | Pa.s | 3.5 |
| | HV/GER | Pa.s | 7.5 |
| As mixed | | | |
| | Color and consistency | | White / black / grey ² non-slump paste |
| | Working time (25°C, 50% R.H.) | minutes | 5–10 |
| | Snap time (25°C, 50% R.H.) | minutes | 35–45 |
| | Specific gravity | | 1.30 |
| | Corrosiveness | | Non-corrosive |
| ISO 8339 | Tensile strength | MPa | 0.89 |
| ASTM D0412 | Tear strength | kN/m | 6.0 |
| ISO 8339 | Elongation at break | % | 90 |
| EN 1279-6 | Durometer hardness, Shore A | | 41 |
| ETAG 002 | Design stress in tension | MPa | 0.14 |
| | Design stress in dynamic shear | MPa | 0.11 |
| | Elastic modulus in tension or compression | MPa | 2.4 |
| EN 1279-4 annex C | Water vapor permeability (2.0 mm film) | g/m ² /24h | 15.4 |
| DIN 52612 | Thermal conductivity | W/(m.K) | 0.27 |

- ISO: International Standardization Organization.
ASTM: American Society for Testing and Materials.
EN: European Norm.
ETAG: European Technical Agreement Guidelines.
DIN: Deutsche Industrie Norm.
- Please refer to our color card (Form. No. 62-1633).

Description

DOWSIL™ 3362 Insulating Glass Sealant has been extensively tested under different type of glass and conditions (air permeability, gas, etc.).

Technical Specifications and Standards

CE Marked according to ETAG 002 meets sealant requirements according to EN1279 parts 4 and 6 and EN13022.

SNJF Vi-VEC



With a correctly manufactured dual sealed gas filled insulating glass unit, it is possible to pass the requirements of EN1279 part 3, but generally DOWSIL™ 3363 Insulating Glass Sealant is recommended for this application.



RAL Quality Label 520/2-3

| Regulation or protocol | Conclusion | Version of regulation or protocol |
|------------------------|------------|--|
| French VOC régulations | A+ | Regulation of March and May 2011 (DEVL1101903D and DEVL1104875A) |
| French CMR components | Pass | Regulation of April and May 2009 (DEVP0908633A and DEVP0910046A) |
| AgBB/ABG | Pass | Anforderungen an bauliche Anlagen bezOglich des Gesundheitsschutzes (ABG), Entwurf 31.08.2017/August 2018 (AgBB) |
| Belgian Regulation | Pass | Royal decree of May 2014 (C-2014/24239) |
| EMICODE | EC 1 | April 2019 |
| Indoor Air Comfort | Pass | Indoor Air Comfort 6.0 of February 2017 |
| BREEAM International | Compliant | BREEAM International New Construction v2.0 (2016) |
| BREEAM Norway | Pass | BREEAM-NOR New Construction v1.2 (2019) |
| CDPH | Pass | |
| M1 | Pass | |

How to Use

Mixing and Dispensing Instructions

DOWSIL™ 3362 Insulating Glass Sealant should be mixed in a ratio of 10:1 base to curing agent by weight, or equivalent 8:1 by volume for optimal properties. At this mix ratio, the sealant typically exhibits a working time of 5–10 minutes and allows units to be handled within two hours. Slight variations in mixing ratio can be tolerated, but these should not exceed 11:1 to 9:1 by weight or 8.8:1 to 7.2:1 by volume to ensure minimum properties are obtained.

How to Use (Cont.)

Mixing and Dispensing Instructions (Cont.)

The sealant is compatible with most DOWSIL™ neutral curing construction sealants. Please contact our technical services department for more information.

To obtain the ultimate physical properties from DOWSIL™ 3362 Insulating Glass Sealant, it is recommended that the base and curing agent are thoroughly mixed using an airless mixing system found on most existing commercially available two-part silicone dispensing machines.

Catalyst Selection

Different catalysts are available for DOWSIL™ 3362 Insulating Glass Sealant:

- DOWSIL™ 3362 HV Catalyst is a medium viscosity paste, fast cure, which is suitable for meter mix equipment using a pressure pot or follower plate system for the catalyst.
- DOWSIL™ 3362 HV/GER Insulating Glass Catalyst is a viscous paste fast cure and is suitable for meter mix equipment that uses a follower plate system for the catalyst.

Equipment Cleaning

When not being used it is recommended that the dispensing equipment be purged either with the uncatalyzed base, or flushed with a suitable solvent such as DOWSIL™ 3522 Concentrated Cleaning Solvent. If cured sealant has built up inside the equipment, it is recommended to flush the equipment for the appropriate time with DOWSIL™ 3522 Concentrated Cleaning Solvent. This solvent dissolves cured silicone sealant and provides optimum cleaning performance.

Technical Services

Dow provides comprehensive technical service as part of customer support to ensure the optimal performance of your insulated glass design. This includes dispensing equipment recommendations, as well as sealant compatibility testing with all your chosen insulated glass unit components. For structural glazing applications, special unit design should be reviewed on a project base by technical service staff.

Handling Precautions

PRODUCT SAFETY INFORMATION REQUIRED FOR SAFE USE IS NOT INCLUDED IN THIS DOCUMENT. BEFORE HANDLING, READ PRODUCT AND SAFETY DATA SHEETS AND CONTAINER LABELS FOR SAFE USE, PHYSICAL AND HEALTH HAZARD INFORMATION. THE SAFETY DATA SHEET IS AVAILABLE ON THE DOW WEBSITE AT DOW.COM, OR FROM YOUR DOW SALES APPLICATION ENGINEER, OR DISTRIBUTOR, OR BY CALLING DOW CUSTOMER SERVICE.

Usable Life and Storage

When stored at or below 30°C, DOWSIL™ 3362 Insulating Glass Sealant Curing Agent has a usable life of 14 months from the date of production.

When stored at or below 30°C, DOWSIL™ 3362 Insulating Glass Sealant Base has a usable life of 14 months from the date of production.

Packaging Information

Lot matching of DOWSIL™ 3362 Insulating Glass Sealant Base and DOWSIL™ 3362 Insulating Glass Sealant Curing Agent is not required.

DOWSIL™ 3362 Insulating Glass Sealant Base is available in 250 kg drums and 20 liter pails. DOWSIL™ 3362 Insulating Glass Sealant Catalyst is available in 25 kg pails. Beside black and clear, the curing agent is offered in a variety of grey shades. Custom colors may be available on request.

Limitations

This product is neither tested nor represented as suitable for medical or pharmaceutical uses.

The sealant cannot be used for structural glazing of glass units onto a metal frame. DOWSIL™ 993 Structural Glazing Catalyst is the recommended product for that application.

Please contact Dow to get the proper glazing recommendations.

Health and Environmental Information

To support customers in their product safety needs, Dow has an extensive Product Stewardship organization and a team of product safety and regulatory compliance specialists available in each area.

For further information, please see our website, dow.com or consult your local Dow representative.

Disposal Considerations

Dispose in accordance with all local, state (provincial) and federal regulations. Empty containers may contain hazardous residues. This material and its container must be disposed in a safe and legal manner.

It is the user's responsibility to verify that treatment and disposal procedures comply with local, state (provincial) and federal regulations. Contact your Dow Technical Representative for more information.

Product Stewardship

Dow has a fundamental concern for all who make, distribute, and use its products, and for the environment in which we live. This concern is the basis for our product stewardship philosophy by which we assess the safety, health, and environmental information on our products and then take appropriate steps to protect employee and public health and our environment. The success of our product stewardship program rests with each and every individual involved with Dow products - from the initial concept and research, to manufacture, use, sale, disposal, and recycle of each product.

Customer Notice

Dow strongly encourages its customers to review both their manufacturing processes and their applications of Dow products from the standpoint of human health and environmental quality to ensure that Dow products are not used in ways for which they are not intended or tested. Dow personnel are available to answer your questions and to provide reasonable technical support. Dow product literature, including safety data sheets, should be consulted prior to use of Dow products. Current safety data sheets are available from Dow.

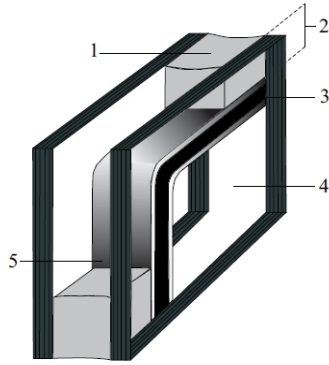


Figure 1: Typical section of a dual sealed insulating glass unit.

Legend

1. Secondary seal (DOWSIL™ 3362 Insulating Glass Sealant)
2. Secondary seal - sealant depth
3. Primary seal - Poly Iso Butylene
4. Glass
5. Spacer bar

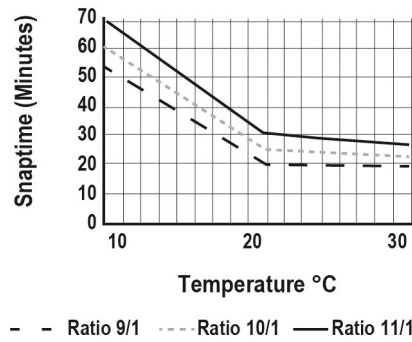


Figure 2: DOWSIL™ 3362 Insulating Glass Sealant - Snaptime evolution with temperature.

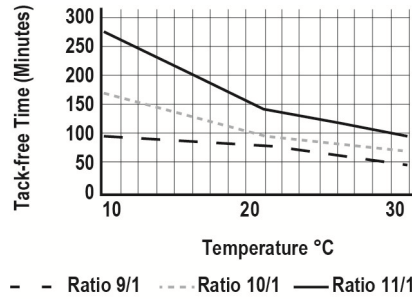


Figure 3: DOWSIL™ 3362 Insulating Glass Sealant - Tack-free time evolution with temperature.

dow.com

NOTICE: No freedom from infringement of any patent owned by Dow or others is to be inferred. Because use conditions and applicable laws may differ from one location to another and may change with time, Customer is responsible for determining whether products and the information in this document are appropriate for Customer's use and for ensuring that Customer's workplace and disposal practices are in compliance with applicable laws and other government enactments. The product shown in this literature may not be available for sale and/or available in all geographies where Dow is represented. The claims made may not have been approved for use in all countries. Dow assumes no obligation or liability for the information in this document. References to "Dow" or the "Company" mean the Dow legal entity selling the products to Customer unless otherwise expressly noted. NO WARRANTIES ARE GIVEN; ALL IMPLIED WARRANTIES OF MERCHANTABILITY OR FITNESS FOR A PARTICULAR PURPOSE ARE EXPRESSLY EXCLUDED.



©™ Trademark of The Dow Chemical Company ("Dow") or an affiliated company of Dow
DOWSIL™ 3362 Insulating Glass Sealant
© 2017–2024 The Dow Chemical Company. All rights reserved.